

**DATASHEET J4C-35**  
**DATOS TÉCNICOS J4C-35**



INDEX -ÍNDICE

---

**J4C- 35 (EN)**

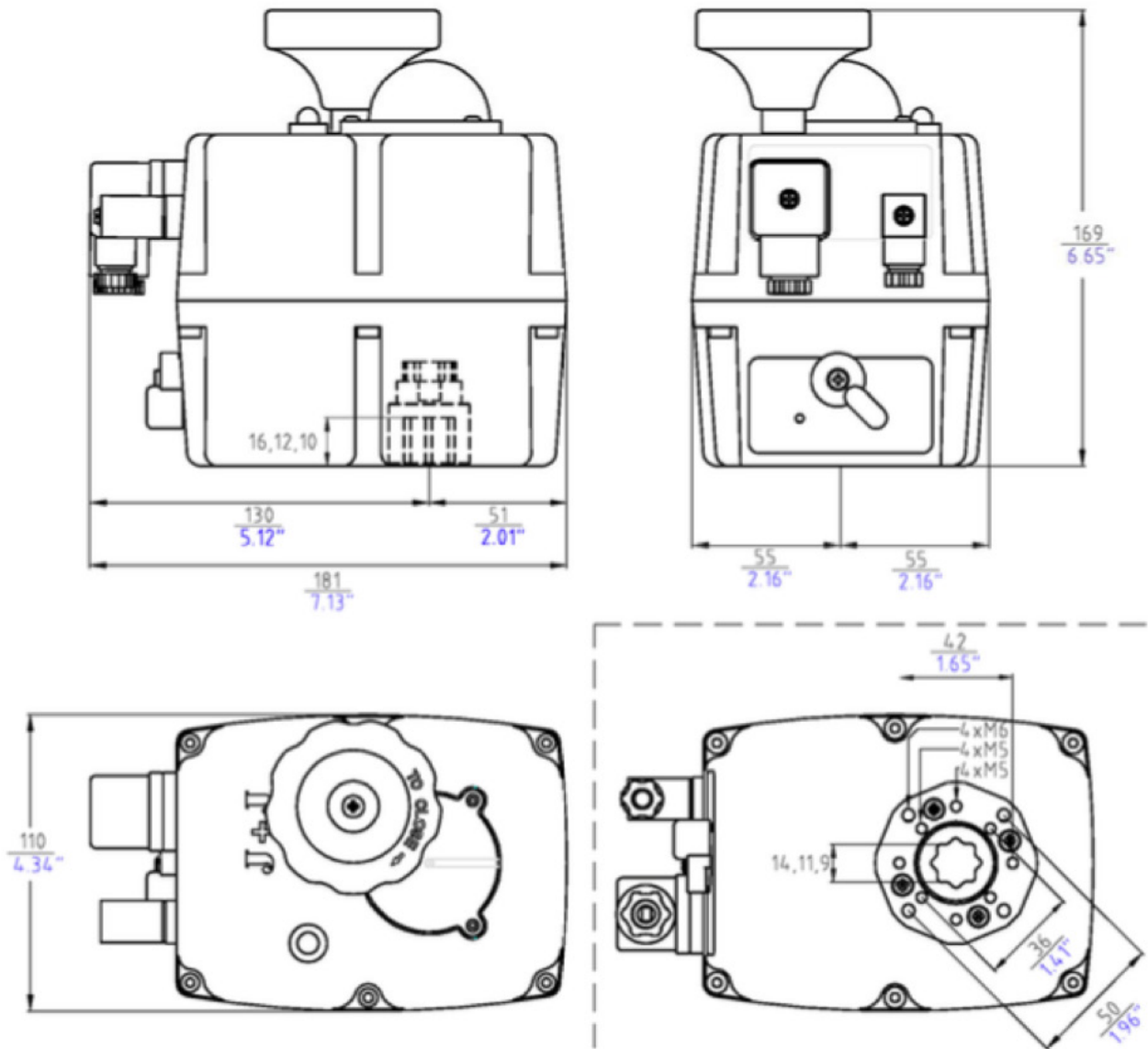
<b>GENERAL CHARACTERISTICS</b> .....	02
<b>SIZES</b> .....	03
<b>EXPLODED VIEW</b> .....	04

**J4C - 35 (ES)**

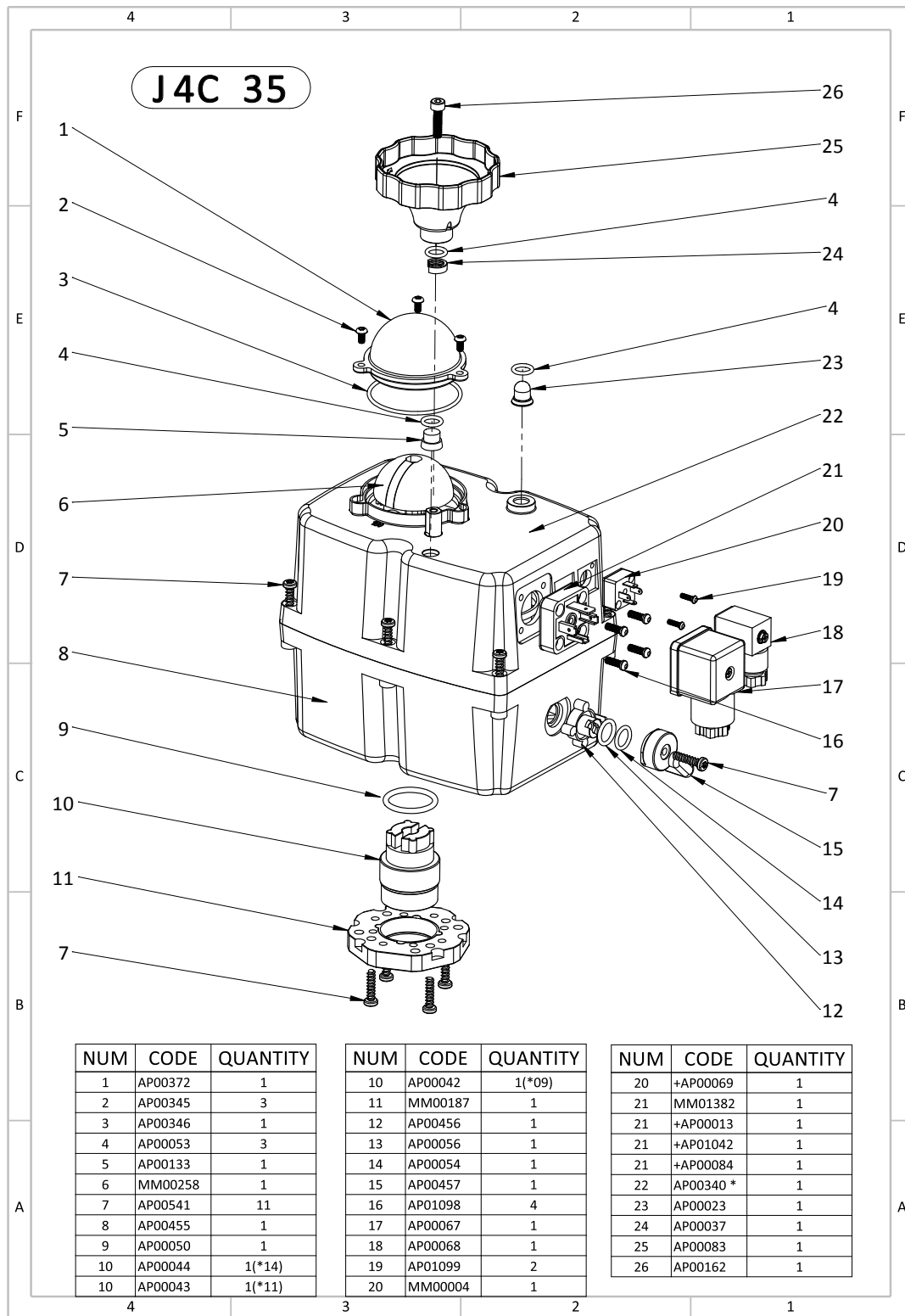
<b>CARACTERÍSTICAS GENERALES</b> .....	07
<b>MEDIDAS</b> .....	08
<b>EXPLODED VIEW</b> .....	09



## J4C 35 SIZES



# Exploded View







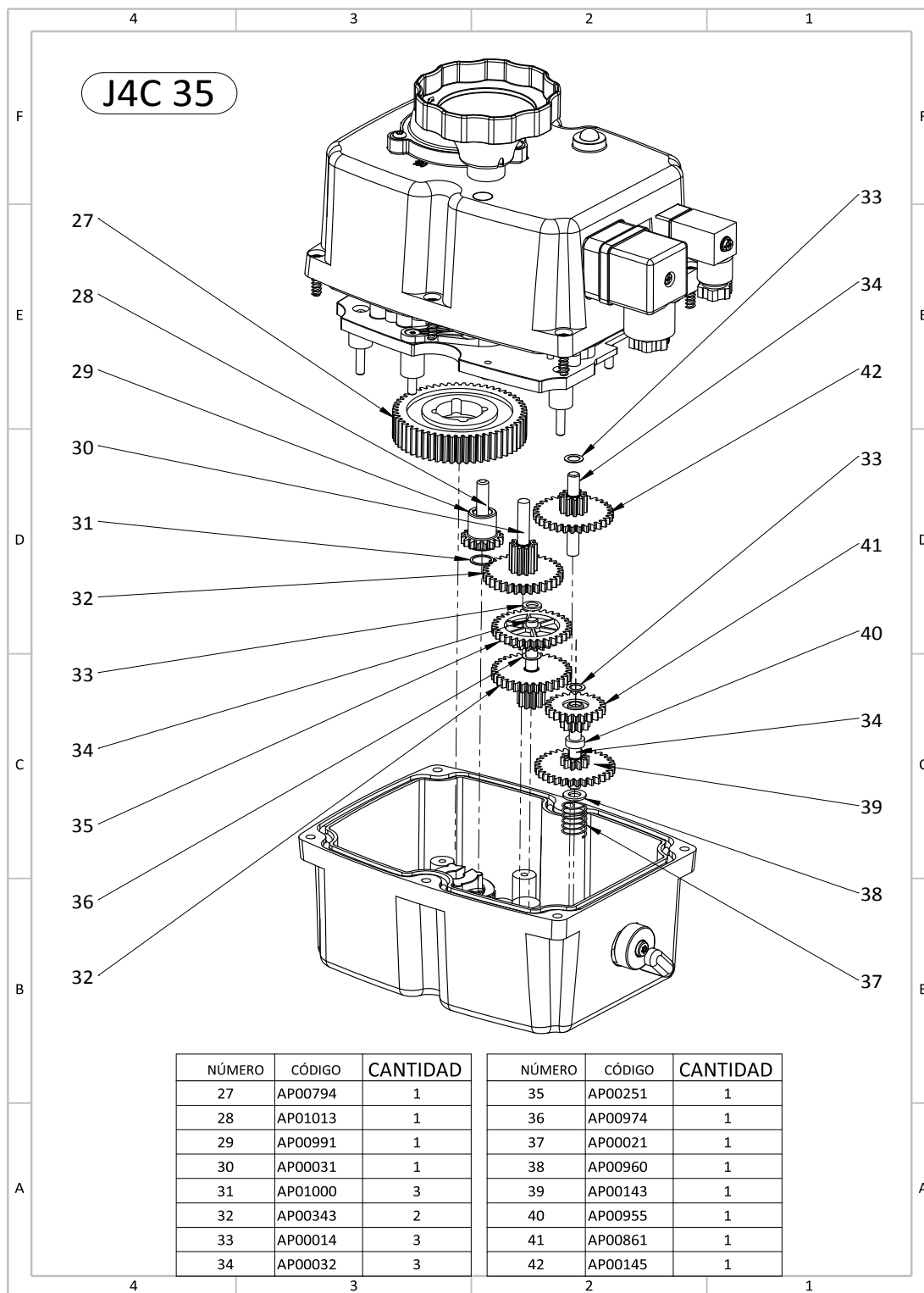








# Exploded View



# Exploded View

