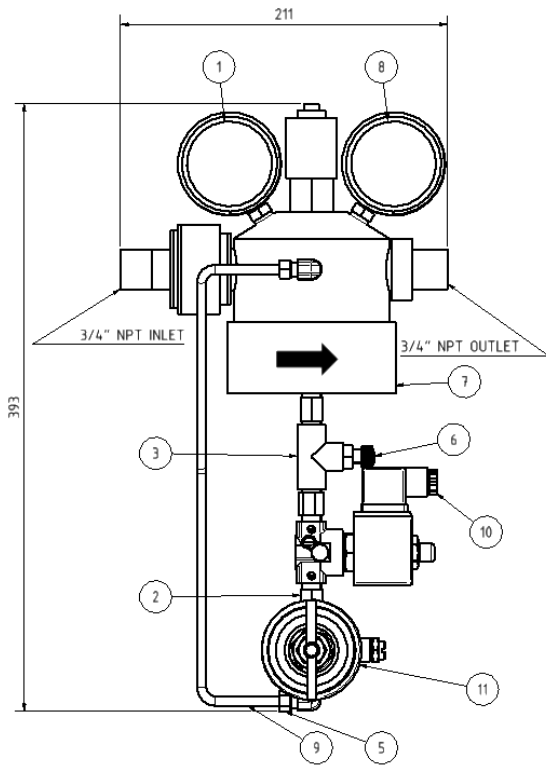


ISOMATIC

Datasheet for 01-6022-1501



PARTS LIST			
ITEM	QTY	PART NUMBER	DESCRIPTION
1	1	MGS10A.300	1/4" Pressure gauge 300 BAR
2	3	2000.14HT	Niple 1/4" SS
3	1	134G14-4I	134G14-4I
5	2	SS-6M0-2-4RT	Ø6x1/4" AISI 316 Angle
6	1	7050.14	1/4 Bleader
7	1	RP300HAB	RP300HAB
8	1	MGS10A.016	1/4" Pressure gauge 16 BAR
9	1	RØR-1501	Ø 6mm
10	1	31619NAM	31619NAM
11	1	R2000SB2	IN 300 Bar out 0-15 Bar

Weight: 10,0 kg

Model	P.E.	P.U.	Flow	Gauges	
	I.P.	O.P.		In	Out
	(bar)	(bar)	(Nm ³ /H)		
	300	0,3 – 8			
	300	8 – 11			

For manifold and cylinder use:

Body	: Brass
Moving parts, springs and bolts	: Stainless steel
Gaskets	: NBR, Teflon, Nylon
Pressure range inlet	: 0-370 bar
Pressure range outlet	: 0-11 bar depending on pilot pressure
Temperature arrange ambient	: -20°C - +80°C

OPTIONAL EQUIPMENT:

Pilot pressure control regulator	: R2000SB2 inlet pressure 370 bar outlet 0-11 bar
Gauges	: Depending on pressure range
Sequence/stop system	: 3/2 valve man. override 31619NAM Eexd versions available
For ordering regulators in SS	: Order RP3300HAB
Pilot regulator in SS	: Order R3200SB2