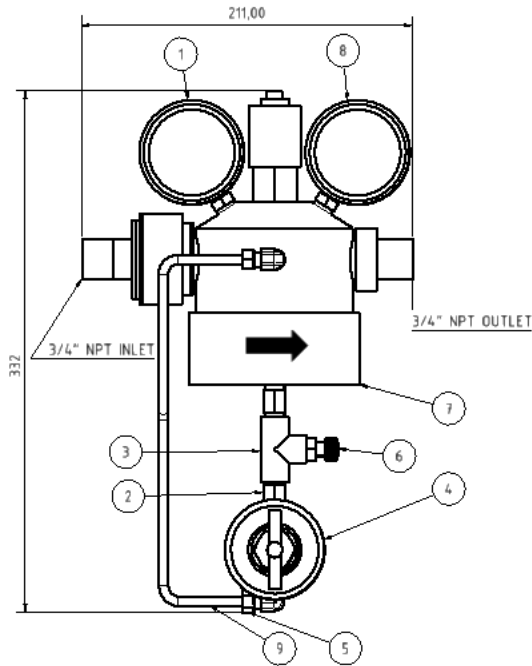


# ISOMATIC

## Datasheet for 01-6022-1500



PARTS LIST			
ITEM	QTY	PART NUMBER	DESCRIPTION
1	1	MGS10A.300	1/4" Pressure gauge 300 BAR
2	2	2000.14HT	Niple 1/4" SS
3	1	134G14-4I	134G14-4I
4	2	SS-6M0-2-4RT	Ø6x1/4" AISI 316 Angle
5	1	7050.14	1/4 Bleader
6	1	RP300HAB	RP300HAB
7	1	MGS10A.016	1/4" Pressure gauge 16 BAR
8	1	RØR-1500	Ø 6mm
9	1	R2000SB2	IN 300 Bar out 0-15 Bar

Weight 10,3 Kg

Model	P.E. I.P.	P.U. O.P.	Flow	Gauges	
				In	Out
	(bar)	(bar)	(Nm <sup>3</sup> /H)		
	370	0,3 – 8	300	0 – 400 bar	0 – 15 bar
	370	8 – 11	480	0 – 400 bar	0 – 25 bar

### Pilot regulator:

Body	: Brass
Moving parts, springs and bolts	: Stainless steel / brass
Gaskets	: NBR, Teflon, Nylon
Pressure range inlet	: 0-370 bar
Pressure range outlet	: 0-11 bar depending on pilot pressure
Temperature arrange ambient	: -20°C - +80°C
Media	: Inert gas

### OPTIONAL EQUIPMENT:

Pilot pressure control regulator	: R2000SB2 inlet pressure 370 bar outlet 0-15 bar
Gauges	: Depending on pressure range
Sequence/stop system	: 3/2 valve man. override 31619NAM Eexd versions available
For ordering regulators in SS 316	: Order RP3300HAB
Pilot regulator in SS 316	: Order R32000SB2