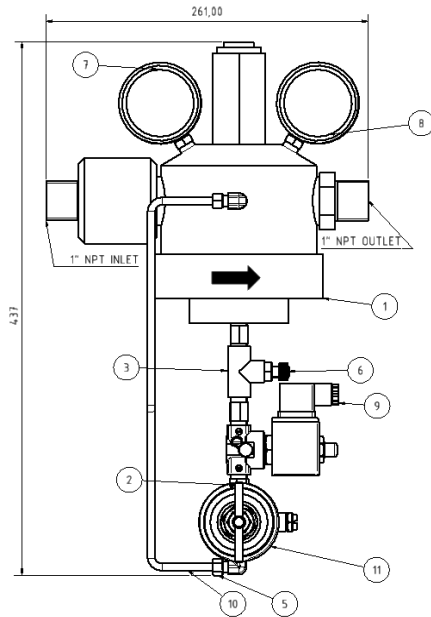


Datasheet for 01-6022-1401



PARTS LIST			
ITEM	QTY	PART NUMBER	DESCRIPTION
1	1	RP1000HAB	RP1000HAB/R2000SB2
2	3	2000.14HT	Niple 1/4" SS
3	1	134G14-4I	134G14-4I
5	2	SS-6MO-2-4RT	Ø6x1/4" AISI 316 Angle
6	1	7050.14	1/4 Bleader
7	1	MGS10A.400	1/4" Presure gauge 400 BAR
8	1	MGS10A.016	1/4" Presure gauge 16 BAR
9	1	31619NAM	31619NAM
10	1	RØR-14.01	Ø 6mm
11	1	R2000SB2	IN 300 Bar out 0-15 Bar

Weight 16,1 kg

Model	P.E. I.P.	P.U. O.P.	Flow	Gauges	
				In	Out
	(bar)	(bar)	(Nm ³ /H)		
	300	0,3 – 8	400-1000	0-400 bar	0-15 bar
	300	8 – 11	1000-1300	0-400 bar	0-25 bar

For manifold and cylinder use:

springs and bolts	: Stainless steel / brass
Gaskets	: NBR, Teflon, Nylon
Pressure range inlet	: 0-370 bar
Pressure range outlet	: 0-11 bar depending on pilot pressure
Temperature arrange ambient	: -20°C - +80°C
Media	: Inert gas

OPTIONAL EQUIPMENT:

Pilot pressure control regulator	: R2000SB2 inlet pressure 370 bar outlet 0-15 bar
Gauges	: Depending on pressure range
Sequence / stop system	: 3/2 valve man. Override 31619NAM Eexd versions available

For ordering regulators in SS 316	: Order RP31000HAB
Pilot regulator in SS 316	: Order R32000SB2