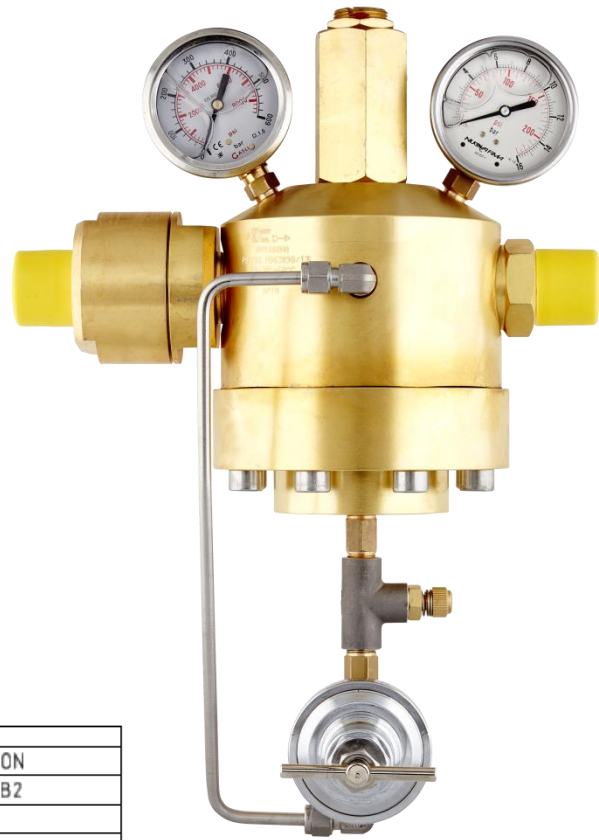
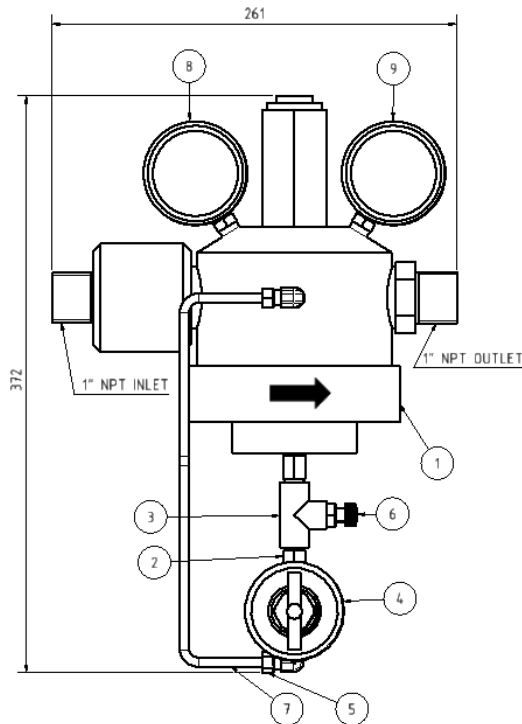


# ISOMATIC

## Datasheet for 01-6022-1400



Weight 15,7 Kg

PARTS LIST			
ITEM	QTY	PART NUMBER	DESCRIPTION
1	1	RP1000HAB	RP1000HAB/R2000SB2
2	2	2000.14HT	Niple 1/4" SS
3	1	134G14-4I	134G14-4I
4	1	R2000SB-2	N 300 Bar out 0-15 Bar
5	2	SS-6M0-2-4RT	Ø6x1/4" AISI 316 Angle
6	1	7050.14	1/4 Bleader
7	1	RØR-1400	Ø 6mm
8	1	MGS10A.400	1/4" Presure gauge 400 BAR
9	1	MGS10A.016	1/4" Presure gauge 16 BAR

Model	P.E.	P.U.	Flow	Gauges	
	LP.	O.P.		In	Out
	(bar)	(bar)	(Nm <sup>3</sup> /H)		
	370	0,3 – 8	400 - 1000	0 – 400 bar	0 - 15 bar
	370	8 – 11	1000 - 1300	0 – 400 bar	0 - 25 bar

### Pilot regulator:

Body	: Brass
Moving parts, springs and bolts	: Stainless steel / brass
Gaskets	: NBR, Teflon, Nylon
Pressure range inlet	: 0-370 bar
Pressure range outlet	: 0-11 bar depending on pilot pressure
Temperature arrange ambient	: -20°C - +80°C
Media	: Inert gas

### OPTIONAL EQUIPMENT:

Pilot pressure control regulator	: R2000SB2 inlet pressure 370 bar outlet 0-15 bar
Gauges	: Depending on pressure range
Sequence / stop system	: 3/2 valve man. Override 31619NAM Eexd versions available

For ordering regulators in SS 316  
Pilot regulator in SS 316

: Order RP31000HAB  
: Order R32000SB2