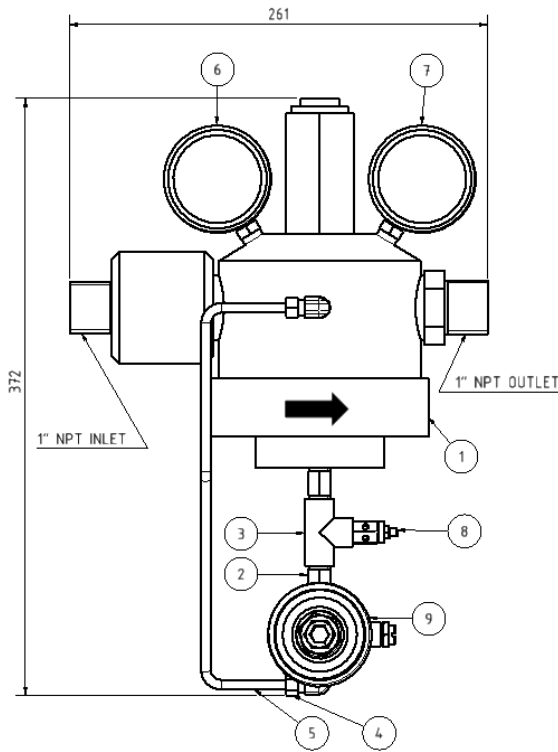


ISOMATIC

Datasheet for 01-6020-1400



Weight 15,7 Kg

PARTS LIST			
ITEM	QTY	PART NUMBER	DESCRIPTION
1	1	RP31000HAB	RP31000HAB SS
2	2	2000.14HT316	1/4" Nipple
3	1	134.G14-4I	134.G14-4I
4	2	SS-6M0-2-4RT	Ø6x1/4" AISI 316 Angle
5	1	RØR-14.00	Ø 6mm
6	1	0AANE12	1/4" 0-400 BAR AISI316
7	1	0AANE07	1/4" 0-16 BAR AISI316
8	1	EC27-2	1/4" Bleader
9	1	R32000SB2	IN 300 Bar out 0-15 Bar

Model	P.E.	P.U.	Flow	Gauges	
	LP.	O.P.		In	Out
	(bar)	(bar)	(Nm ³ /H)		
	370	0,3 – 8	400 - 1000	0 – 400 bar	0 - 15 bar
	370	8 – 11	1000 - 1300	0 – 400 bar	0 - 25 bar

Pilot regulator:

Body	: Stainless steel AISI 316
Moving parts, springs and bolts	: Stainless steel AISI 316
Gaskets	: NBR, Teflon, Nylon
Pressure range inlet	: 0-370 bar
Pressure range outlet	: 0-11 bar depending on pilot pressure
Temperature arrange ambient	: -20°C - +80°C
Media	: Inert gas

OPTIONAL EQUIPMENT:

Pilot pressure control regulator	: R32000SB2 inlet pressure 370 bar outlet 0-15 bar
Gauges	: Depending on pressure range
Sequence / stop system	: 3/2 valve man. Override 31619NAM Eexd versions available